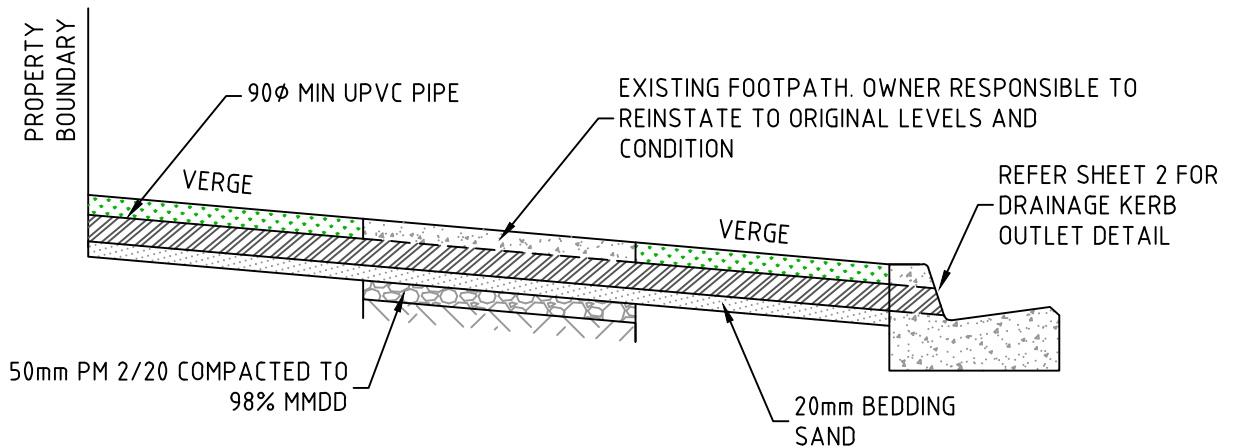


PLAN VIEW
NOT TO SCALE



TYPICAL LONGITUDINAL SECTION
NOT TO SCALE

NOTES:
REFER SHEET 2 OF 2 FOR DRAINAGE OUTLET DETAIL



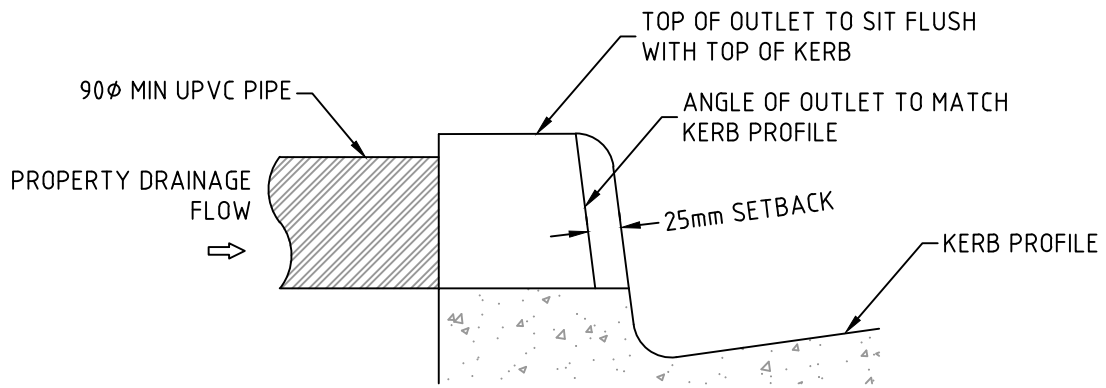
REVISIONS		
No.	BY	DATE
1	A. MOLLOY	MAY 2020
0	A. MOLLOY	MAY 2014
A	A. MOLLOY	MAR 2014

STANDARD DETAILS

STORMWATER DISCHARGE TO STREET
PIPE FROM PROPERTY BOUNDARY TO KERB

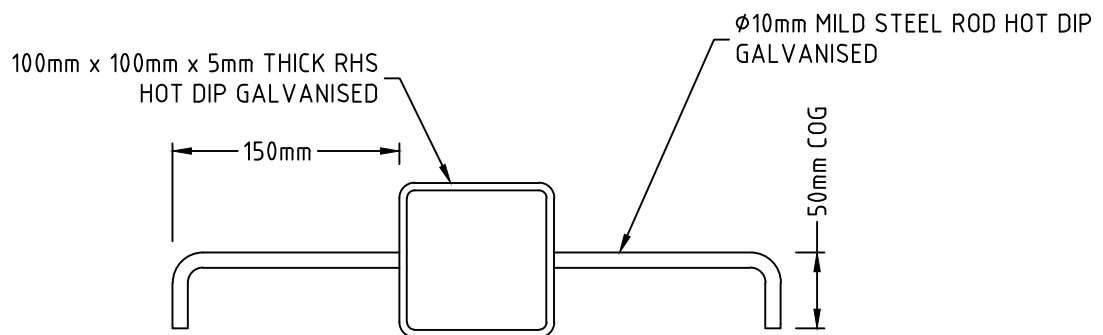
SCALE AS SHOWN

ADELAIDE HILLS COUNCIL		
SHEET	1	of 2
REVISION	1	
DRAWING No.	SD25	



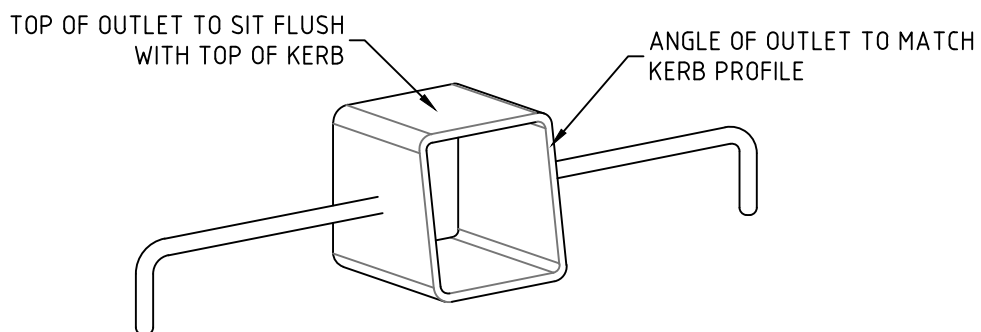
DRAINAGE OUTLET IN KERB SIDE VIEW

NOT TO SCALE



DRAINAGE OUTLET FRONT VIEW

NOT TO SCALE



DRAINAGE OUTLET ISOMETRIC VIEW

NOT TO SCALE

REVISIONS		
No.	BY	DATE
1	A. MOLLOY	MAY 2020
0	A. MOLLOY	MAY 2014
A	A. MOLLOY	MAR 2014