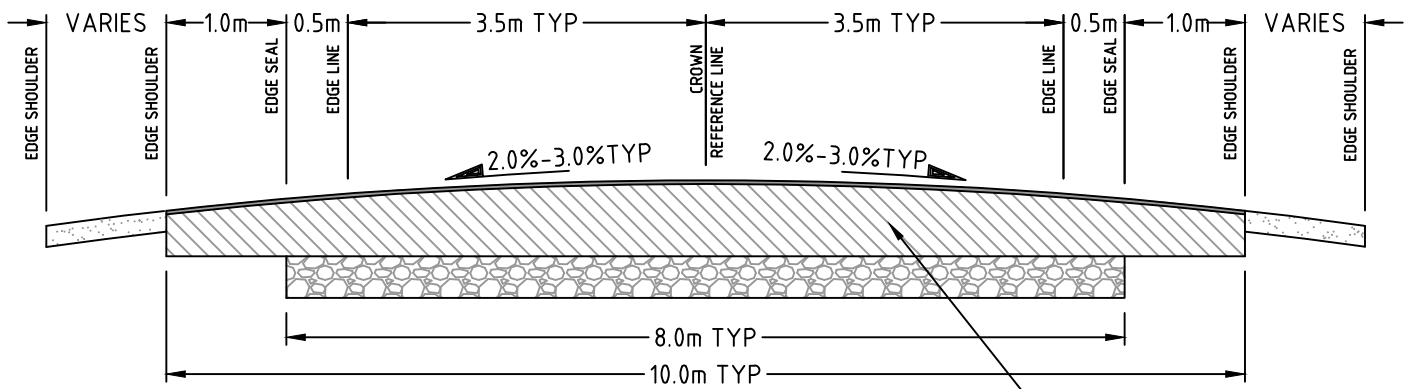
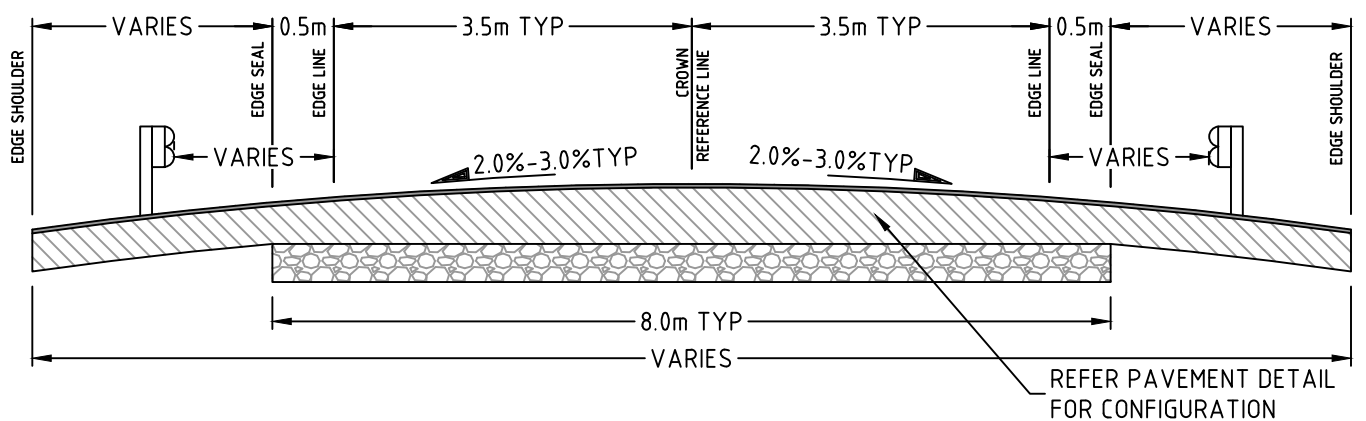


TYPICAL URBAN CROSS SECTION
NOT TO SCALE



TYPICAL RURAL CROSS SECTION
NOT TO SCALE



TYPICAL RURAL CROSS SECTION WITH W-BEAM
NOT TO SCALE



REVISIONS		
No.	BY	DATE
1	A. MOLLOY	MAY 2020
0	A. MOLLOY	MAY 2014
A	A. MOLLOY	MAR 2014

STANDARD DETAILS

TYPICAL CROSS SECTIONS
SEALED ROADS

SCALE AS SHOWN

ADELAIDE HILLS COUNCIL

SHEET 1 of 1

REVISION 1

DRAWING No. SD30